

Quality Solution For All Growers



PT2005 Pot Tagger

From ***KW Automation***



Increased Productivity

The PT2005 Pot Tagger is the latest addition to KW's family of Auto Taggers.

Pre-programming of up to 10 various styles of Bedding Trays/Plant pots (up to 16 rows in each) is possible with the on-board computer touch pad. The flexibility of the units allows it to be setup on to any existing potting conveyor and will tag into almost any pot size.

Down time is minimised with quick release Tag Magazines ensuring quick changeover of Tag types.

A variety of Tag sizes being catered for with different sized Magazines.

Single pot tagging made possible with manually set Single Pot Width Guide, catering for most pot diameters.

Simplicity and Speed are the main attributes of the PT2005, allowing low stress high volume production.

Simple to Use Highly Accurate

- ▶ **Simple**- speedy change-over to different pot sizes.
- ▶ **Accurate** - electric-eye control conveyor gives accurate tag placement.
- ▶ **Guaranteed**- Versatile mounts to any existing pot conveyor
- ▶ **Easy**- changeover of Tag types ensured with quick release Tag Magazines.
- ▶ **Variety**- of Tags catered for with optional various shaped Tag Magazines.
- ▶ **Computerised** - simple to use on-line instructions.



Manufactured By:

KW Automation

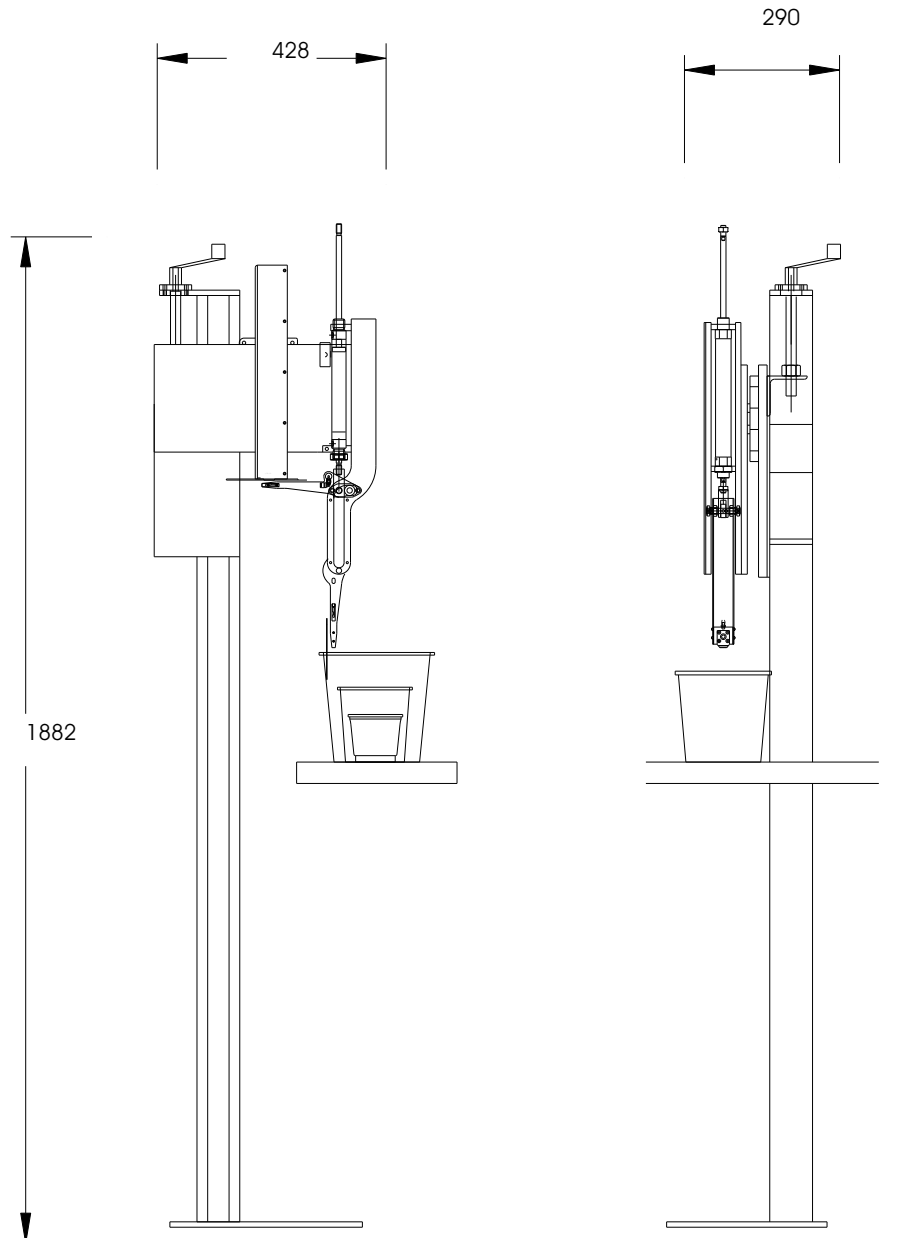
PO Box 121, Old Bowling Green Rd
Palmwoods, Queensland 4555 Australia

Int (61) - (07) 5445 9549 - Fax (07) 5445 0499
Web Site: www.kwautomation.com.au

PT2005 Pot Tagger	Specifications
Power Supply Req'd	240V or 110V
Length	1.880 Metres (6'2")
Width	.430 Metres (17")
Height	.290 Metres (12")
Air Pressure Req'd	80PSI / 550KPA
Air Volume Req'd	2 CFM*
Max. Pot Size	350mm/14"
No. Pots/Hour	3000

PT2005 Pot Tagger constructed from lightweight, non - corrosive, polished aluminium.

* Free Air Delivery



Please note all plans & specifications may change without further notice.