

Quality Solution For All Growers .....



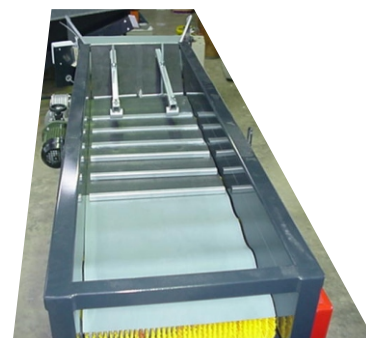
# Lychee Destalker

From *KW Automation*



**Destalks fruit for quality results.**

- ▶ **Gentle** handling for your fruit.
- ▶ **Durable** powder coated for extra protection.
- ▶ **Longevity** low maintenance, all sealed bearings.
- ▶ **Quiet** unique chain driven brushes give quieter operation.
- ▶ **Height** Adjustable legs for smooth flow of fruit processing line.



The **Lychee Destalker** destalks Lychees from their bunches via special weights mounted onto natural rubber.

The friction between the rubber and soft nylon roller brushes separate the Lychees from the stalks without tearing or bruising the skin.

To achieve best results it is recommended that fruit is mature, of good colour and must be hydro-cooled .

The last 3 nylon roller brushes run at a different speed with a gap between each brush.

The gap allows the Lychees to be released onto an inspection conveyor, whilst leaves, stalks, etc are taken to the outlet chute.



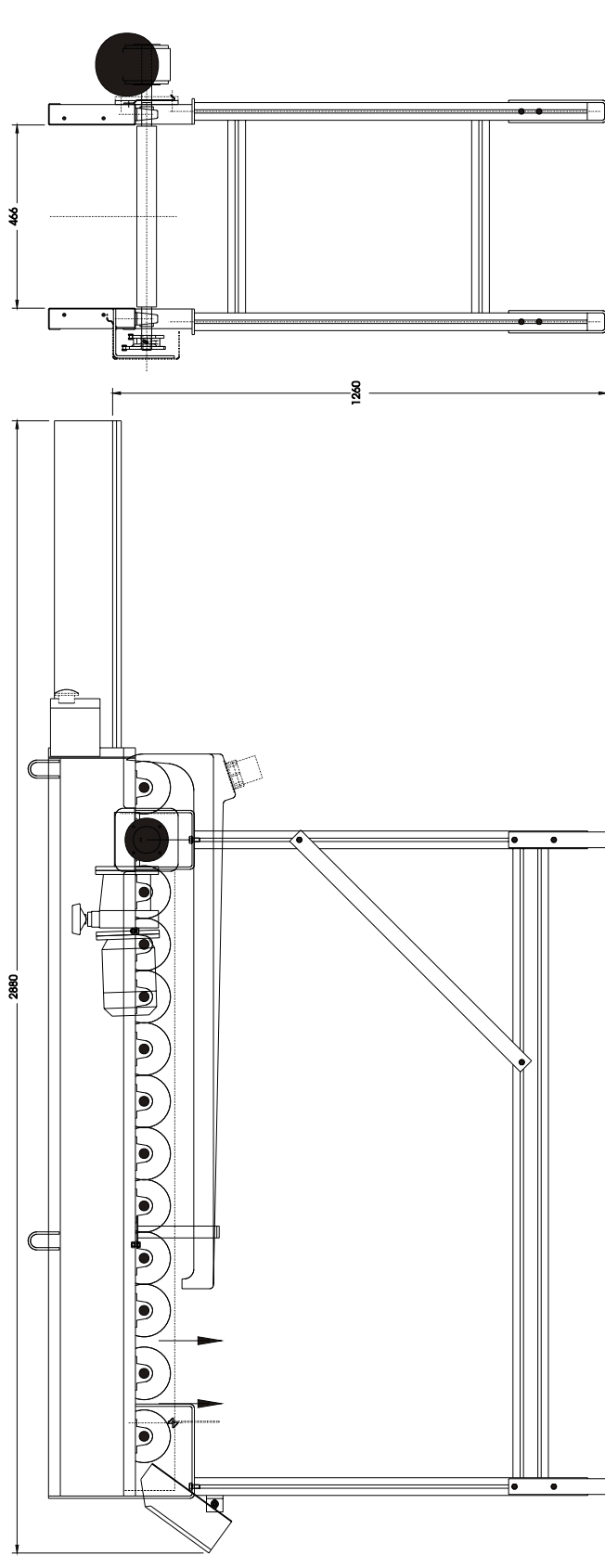
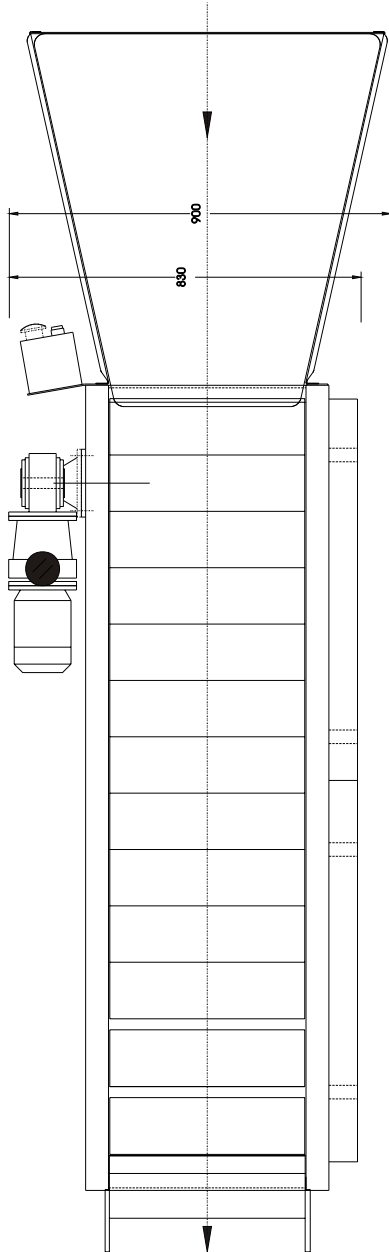
**Manufactured By:**

***KW Automation***

PO Box 121, Old Bowling Green Rd  
Palmwoods, Queensland 4555 Australia  
Int (61) - (07) 5445 9549 - Fax (07) 5445 0499  
Web Site: [www.kwautomation.com.au](http://www.kwautomation.com.au)

**Lychee Destalker Specifications**

<b>Capacity of Motor</b>	<b>.37 KW (1/2 HP)</b>
<b>Power Supply Reqd</b>	<b>240V or 415V</b>
<b>Length (without hopper)</b>	<b>2.250 Metres</b>
<b>Width</b>	<b>.830 Metres</b>
<b>Height</b>	<b>1.480 Metres</b>
<b>No. of Brushes per Unit</b>	<b>13</b>
<b>Width of Brushes</b>	<b>460mm</b>
<b>Capacity / hour</b>	<b>200Kg</b>



Please note all plans & specifications may change without further notice.