

Quality Solution For All Growers .....



# Brush Polishers

From ***KW Automation***



Highly Versatile.  
Multiple Configurations.  
Low Maintenance.

- ▶ **Gentle** handling for your fruit.
- ▶ **Durable** powdercoated for extra protection.
- ▶ **Longevity** low maintenance all sealed bearings.
- ▶ **Quiet** unique chain driven brushes give quieter operation.
- ▶ **Adjustable** legs for smooth flow of fruit processing line.



**KW Automation Brush Polishers** come in many configurations to cater to the many varying needs of growers.

There are three different Brush widths to select from when ordering your Brush Polisher depending on fruit processing capacity requirements.

The number of Brushes per polisher may

also be increased allowing individual growers greater versatility when processing high volumes of fruit.

Slower brush speeds used in conjunction with our optional soft nylon brushes allows the brushing of the most sensitive fruits (e.g. Zucchini, Capsicum, Squash & Hydroponic Tomato).

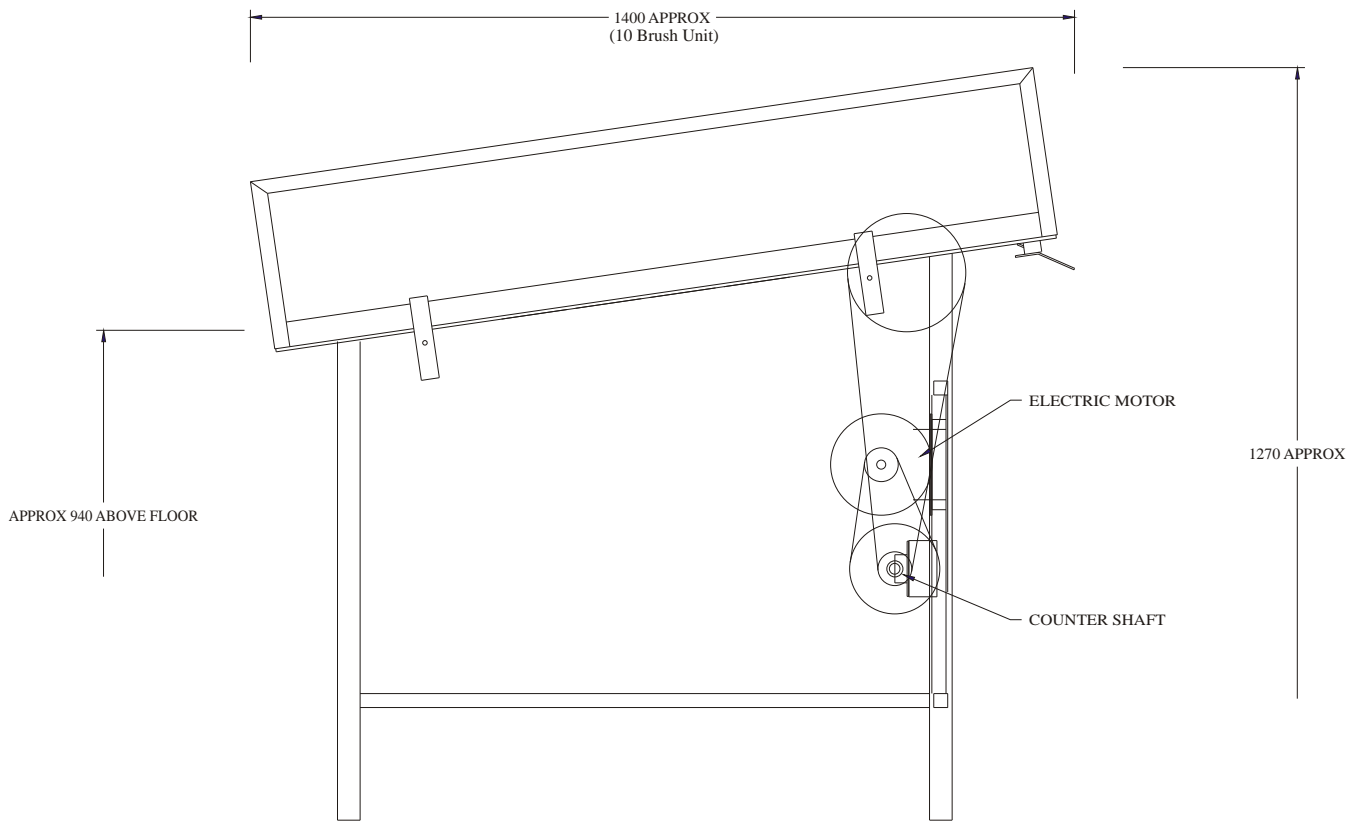


**Manufactured By:**

***KW Automation***

PO Box 121, Old Bowling Green Rd  
Palmwoods, Queensland 4555 Australia

Int (61) - (07) 5445 9549 Fax (07) 5445 0499  
Web Site: [www.kwautomation.com.au](http://www.kwautomation.com.au)



Brush Polisher	Specifications
Capacity of Motor	0.18 kW (1/4 HP) - 10 Brush Unit
Power Supply Req'd	240V or 415V
Length of 10 Brush Unit	1.400 Metres
Width of 10 Brush Unit	.750 Metres (460mm Wide Brush)
Height of 10 Brush Unit	1.270 Metres
No. of Brushes per Unit	10,12,14,16 or 20
Width of Brushes	460mm,600mm or 900mm
Std Brush Speed	116 R.P.M

Please note all plans & specifications may change without further notice.